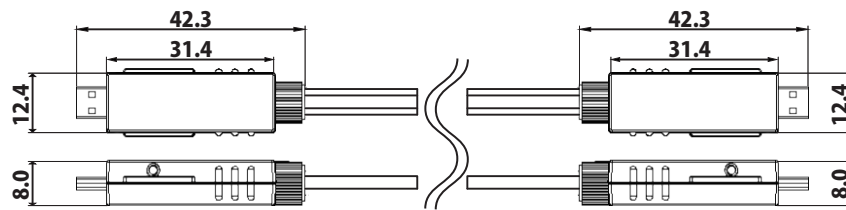
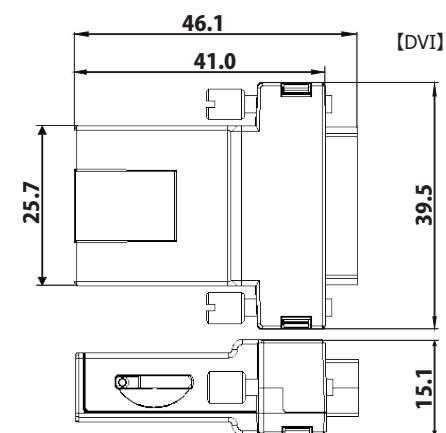
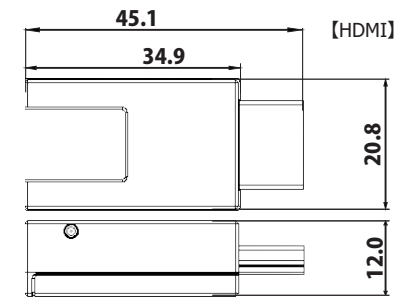


TX



RX



[microHDMI]

19 17 15 13 11 9 7 5 3 1	Pin 1 Hot Plug Detect	Pin 6 TMDS Data1+	Pin 11 TMDS Data0-	Pin 16 DDC/CEC / HPD Ground
18 16 14 12 10 8 6 4 2	Pin 2 N/C	Pin 7 TMDS Data1 Shield	Pin 12 TMDS Clock+	Pin 17 SCL
	Pin 3 TMDS Data2+	Pin 8 TMDS Data1-	Pin 13 TMDS Clock Shield	Pin 18 SDA
	Pin 4 TMDS Data2 Shield	Pin 9 TMDS Data0+	Pin 14 TMDS Clock-	Pin 19 +5V Power
	Pin 5 TMDS Data2-	Pin 10 TMDS Data0 Shield	Pin 15 CEC	

[HDMI]

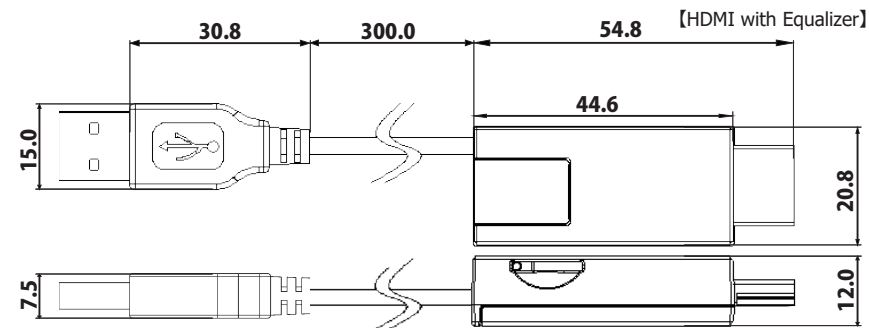
19 17 15 13 11 9 7 5 3 1	Pin 1 TMDS Data2+	Pin 6 TMDS Data1-	Pin 11 TMDS Clock Shield	Pin 16 SDA
18 16 14 12 10 8 6 4 2	Pin 2 TMDS Data2 Shield	Pin 7 TMDS Data0+	Pin 12 TMDS Clock-	Pin 17 DDC/CEC/HPD Ground
	Pin 3 TMDS Data2-	Pin 8 TMDS Data0 Shield	Pin 13 CEC	Pin 18 +5V Power
	Pin 4 TMDS Data1+	Pin 9 TMDS Data0-	Pin 14 N/C	Pin 19 Hot Plug Detect
	Pin 5 TMDS Data1 Shield	Pin 10 TMDS Clock+	Pin 15 SCL	

[DVI]

11 13 15 17 19 21 23 25	Pin 1 TMDS Data2-	Pin 9 TMDS Data1-	Pin 17 TMDS data0-	C1	N/A
12 14 16 18 20 22 24 26	Pin 2 TMDS Data2+	Pin 10 TMDS Data1+	Pin 18 TMDS data0+	C2	N/A
	Pin 3 TMDS Data2 Shield	Pin 11 TMDS Data1 Shield	Pin 19 TMDS data0 Shield	C3	N/A
	Pin 4 N/A	Pin 12 N/A	Pin 20 N/A	C4	N/A
	Pin 5 N/A	Pin 13 N/A	Pin 21 N/A	C5	Analog Ground
	Pin 6 SCL	Pin 14 +5V	Pin 22 TMDS clock Shield		
	Pin 7 SDA	Pin 15 DDC/HPD	Pin 23 TMDS clock+		
	Pin 8 N/A	Pin 16 Hot Plug Detect	Pin 24 TMDS clock-		

[DisplayPort]

1 2 3 4 5 6 7 8 9 10 11 12 13 14 15 16 17 18 19 20	Pin 1 ML_Lane 0+	Pin 6 ML_Lane 1-	Pin 11 Ground	Pin 16 Ground
	Pin 2 Ground	Pin 7 ML_Lane 2+	Pin 12 ML_Lane 3-	Pin 17 AUX CH-
	Pin 3 ML_Lane 0-	Pin 8 Ground	Pin 13 Ground	Pin 18 Hot Plug Detect
	Pin 4 ML_Lane 1+	Pin 9 ML_Lane 2-	Pin 14 Ground	Pin 19 Return
	Pin 5 Ground	Pin 10 ML_Lane 3+	Pin 15 AUX CH+	Pin 20 DP_PWR



Tolerance for linear dimension Fine ISO 2768-f	
Dimension	Tolerance
0~6	±0.05
6~30	±0.1
30~120	±0.15
120~400	±0.2
Tolerance for angular dimension Fine ISO 2768-f	
(Ranges of lengths in millimeters of shorter side of the angle concerned)	
Dimension	Tolerance
~10	±1~
10~50	±0.5~
50~200	±0.333~

MODEL No.	Length
AOD-10M	10,000 ^{-0/+500}
AOD-15M	15,000 ^{-0/+500}
AOD-20M	20,000 ^{-0/+500}
AOD-30M	30,000 ^{-0/+500}
AOD-40M	40,000 ^{-0/+500}
AOD-50M	50,000 ^{-0/+500}
AOD-100M	100,000 ^{-0/+500}

http://www.ad-techno.com/			
SCALE	-	REV.	A
UNIT	mm	DWG NO.	
SHEET	1/1	DATE	
TITLE			
Detachable GI-PoF Active Optical Cable			
MODEL NO. AOD-xxM			