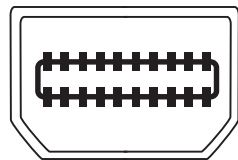
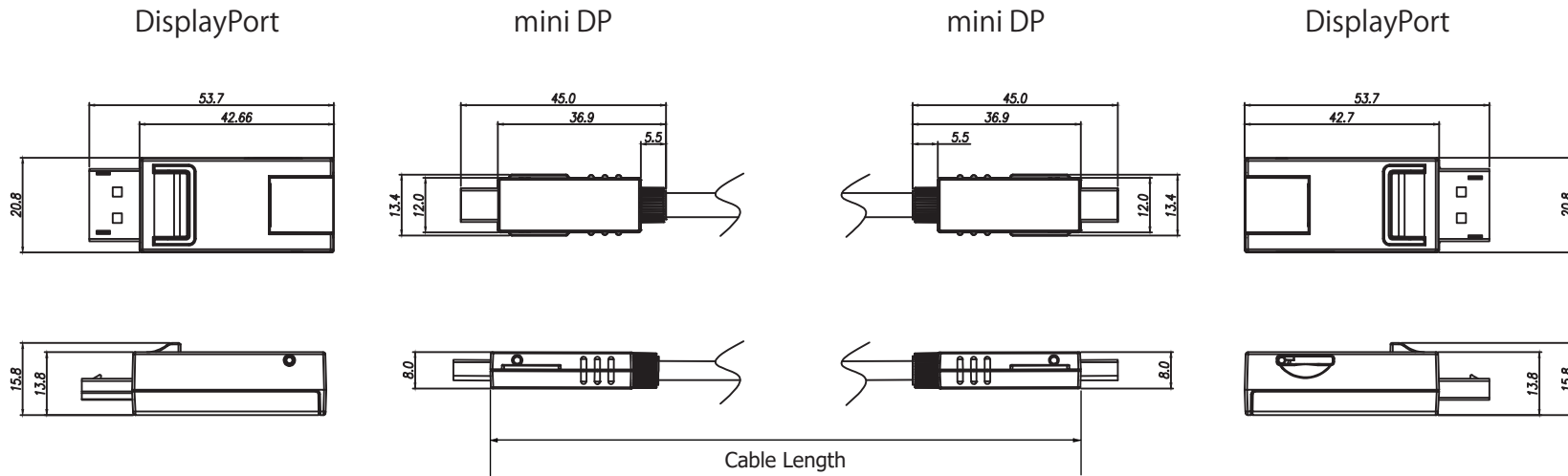
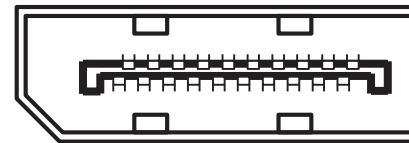


Tx

Rx



Pin 1	Ground	Pin 11	ML_Lane 1-
Pin 2	Hot Plug	Pin 12	ML_Lane 3-
Pin 3	ML_Lane 0+	Pin 13	Ground
Pin 4	No connect	Pin 14	Ground
Pin 5	ML_Lane 0-	Pin 15	ML_Lane 2+
Pin 6	No Connect	Pin 16	AUX CH+
Pin 7	Ground	Pin 17	ML_Lane 2-
Pin 8	Ground	Pin 18	AUX CH-
Pin 9	ML_Lane 1+	Pin 19	Ground
Pin 10	ML_Lane 3+	Pin 20	DP_PWR



Pin 1	ML_Lane 0+	Pin 11	Ground
Pin 2	Ground	Pin 12	ML_Lane 3-
Pin 3	ML_Lane 0-	Pin 13	Ground
Pin 4	ML_Lane 1+	Pin 14	Ground
Pin 5	Ground	Pin 15	AUX CH+
Pin 6	ML_Lane 1-	Pin 16	Ground
Pin 7	ML_Lane 2+	Pin 17	AUX CH-
Pin 8	Ground	Pin 18	Hot Plug Detect
Pin 9	ML_Lane 2-	Pin 19	Return
Pin 10	ML_Lane 3+	Pin 20	DP_PWR


Tolerance for linear dimension Fine ISO 2768-f

Dimension	Tolerance
0~6	±0.05
6~30	±0.1
30~120	±0.15
120~400	±0.2

Tolerance for angular dimension Fine ISO 2768-f

(Ranges of lengths in millimeters of shorter side of the angle concerned)

Dimension	Tolerance
~10	±1~
10~50	±0.5~
50~200	±0.333~

		http://www.ad-techno.com/	
SCALE	-	REV.	A
UNIT	mm	DWG NO.	
SHEET	1/1	DATE	
TITLE DisplayPort GI-POF Active Optical Cable			
MODEL NO. AMD-xxM			