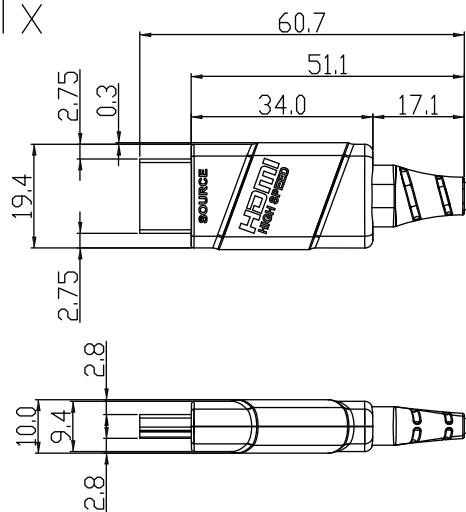
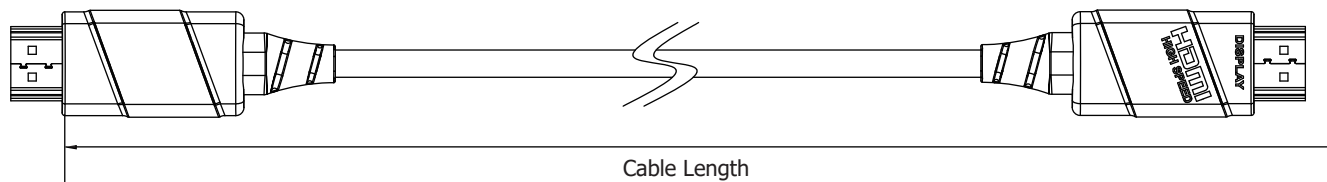
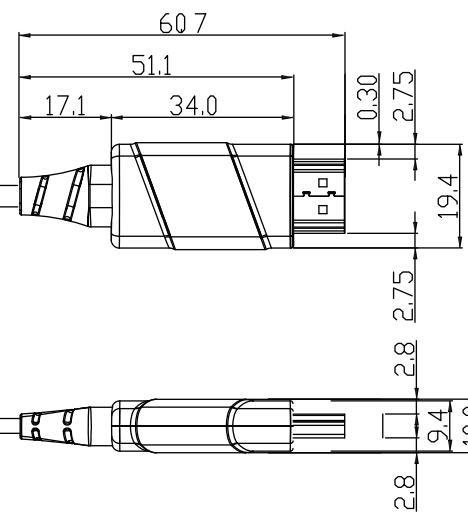


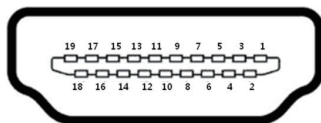
Tx



Rx



Cable Length



Pin 1	TMDS Data2+	Pin 11	TMDS Clock Shield
Pin 2	TMDS Data2 Shield	Pin 12	TMDS Clock-
Pin 3	TMDS Data2-	Pin 13	CEC
Pin 4	TMDS Data1+	Pin 14	N/C
Pin 5	TMDS Data1 Shield	Pin 15	SCL
Pin 6	TMDS Data1-	Pin 16	SDA
Pin 7	TMDS Data0+	Pin 17	CEC Ground
Pin 8	TMDS Data0 Shield	Pin 18	+5V Power
Pin 9	TMDS Data0-	Pin 19	Hot Plug Detect
Pin 10	TMDS Clock+		

MODEL No.	Cable Length
AHP-10M	10,000 ⁻⁰ / ₊₅₀₀
AHP-15M	15,000 ⁻⁰ / ₊₅₀₀
AHP-20M	20,000 ⁻⁰ / ₊₅₀₀
AHP-30M	30,000 ⁻⁰ / ₊₅₀₀
AHP-40M	40,000 ⁻⁰ / ₊₅₀₀
AHP-50M	50,000 ⁻⁰ / ₊₅₀₀
AHP-100M	100,000 ⁻⁰ / ₊₅₀₀

Tolerance for linear dimension Fire ISO 2768-f	
Dimension	Tolerance
0~6	±0.05
6~30	±0.1
30~120	±0.15
120~400	±0.2

Tolerance for angular dimension Fine ISO 2768-f (Ranges of lengths in millimeters of shorter side of the angle concerned)	
Dimension	Tolerance
~10	±1~
10~50	±0.5~
50~200	±0.333~

		http://www.ad-techno.com/	
SCALE	-	REV.	A
UNIT	mm	DWG NO.	
SHEET	1/1		
DATE			
TITLE			
HDMI GI-POF Active Optical Cable			
MODEL NO. AHP-xxN			