

TABLE A

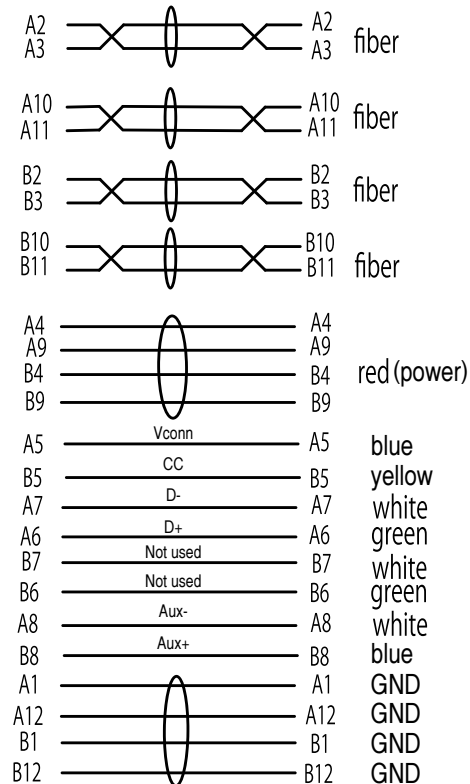
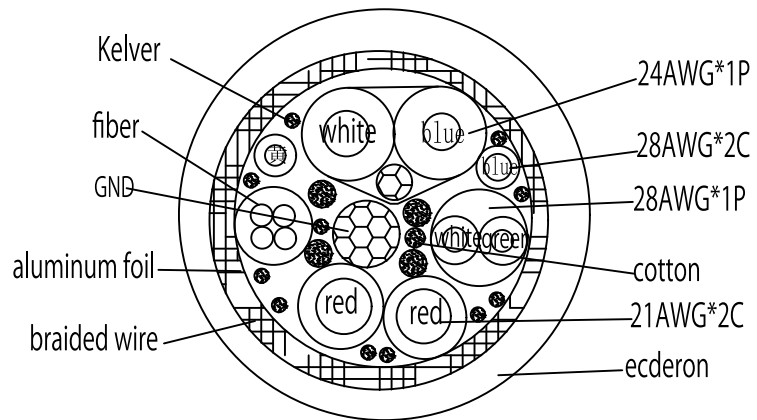
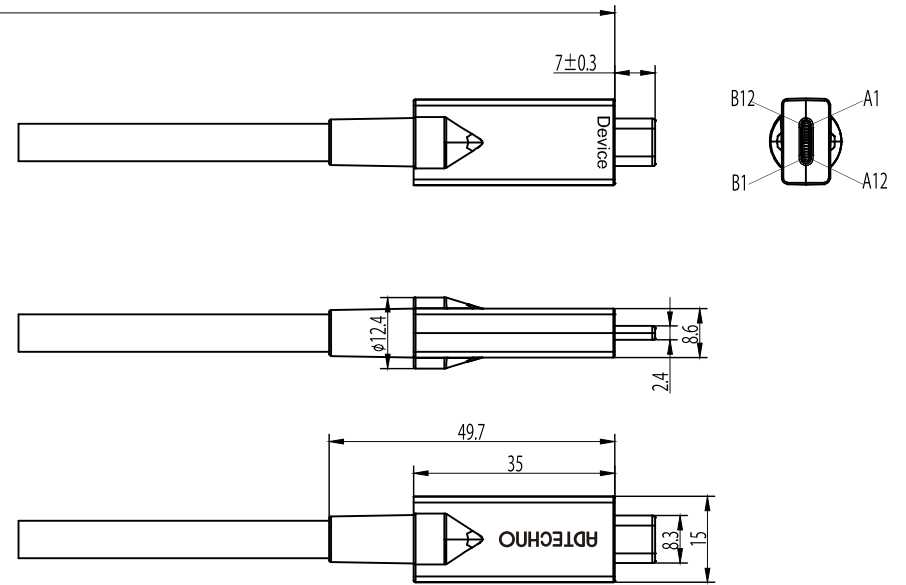
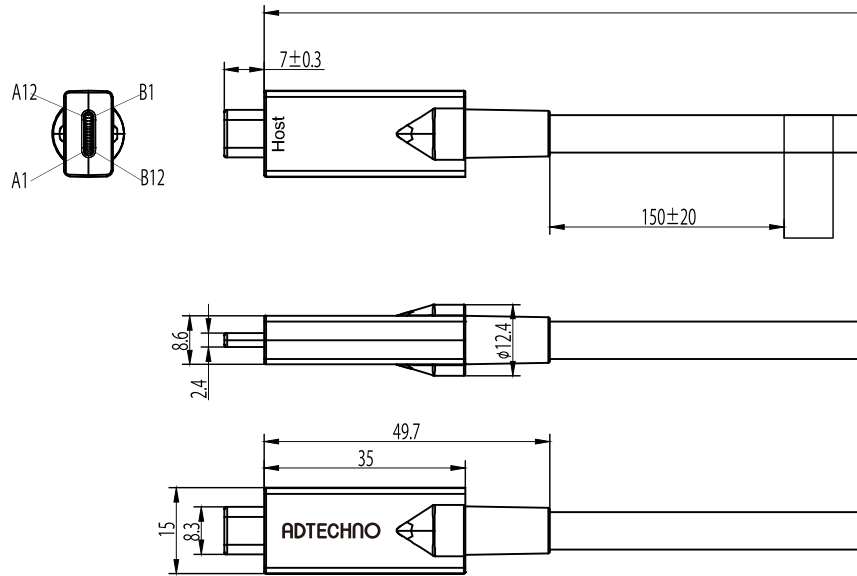


TABLE A

P/N	Length (mm)
AUC-007M	7000+/-150
AUC-010M	10000+/-200

		<a href="http://www.ad-techno.com/">http://www.ad-techno.com/</a>	
SCALE	-	REV.	A
UNIT	mm	DWG NO.	
SHEET	1/1	DATE	
TITLE			
DP Alt & PD Optical Fiber USB Cable			
MODEL NO.			
AUC-xxxM			