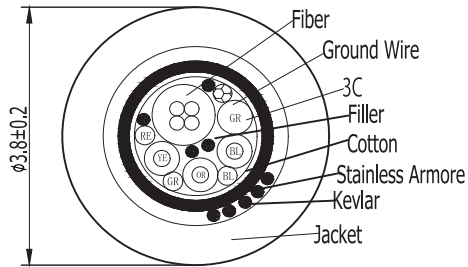
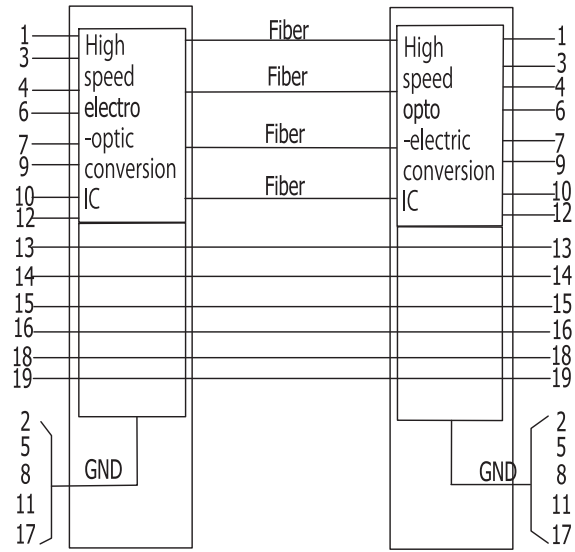
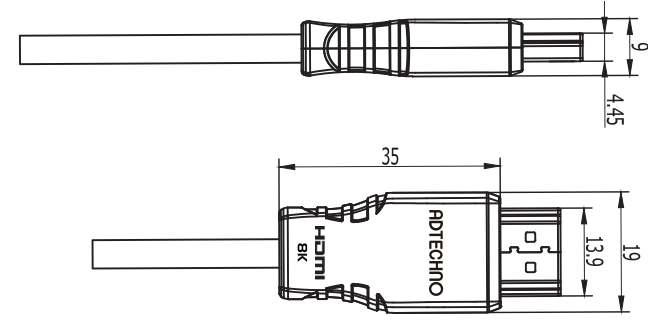
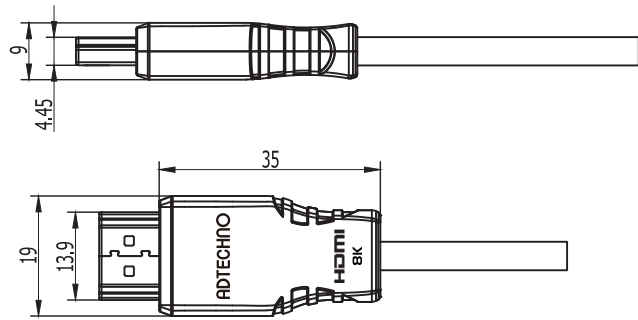
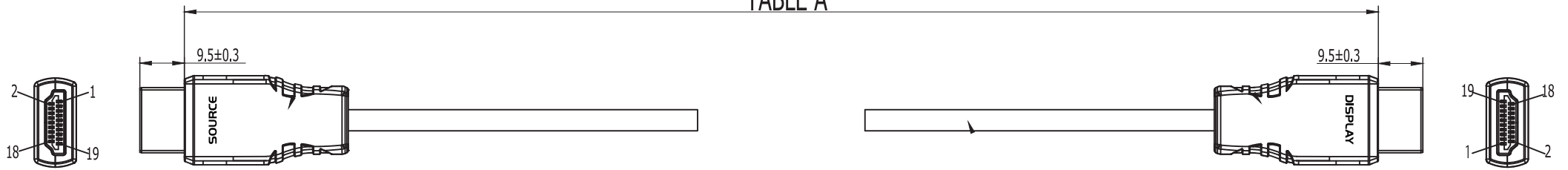
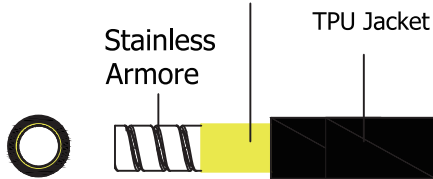


TABLE A



Dupont Kevlar



Armored HDMI Active Optical Cable (4 Fiber+7 Copper wire) Black TPU OD:.8MM

MODEL No.	Length(mm)
AHS2-010M	10,000 ⁻⁰ / ₊₂₀₀
AHS2-015M	15,000 ⁻⁰ / ₊₂₅₀
AHS2-020M	20,000 ⁻⁰ / ₊₃₀₀
AHS2-030M	30,000 ⁻⁰ / ₊₄₀₀

http://www.ad-techno.com/			
SCALE	-	REV.	A
UNIT	mm		
SHEET	1/1	DWG NO.	
DATE			
TITLE			
48Gbps Super Slim Armored Active Optical Cable			
MODEL NO. AHS2-xxxM			