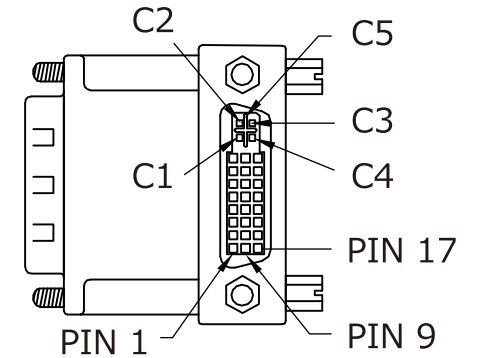
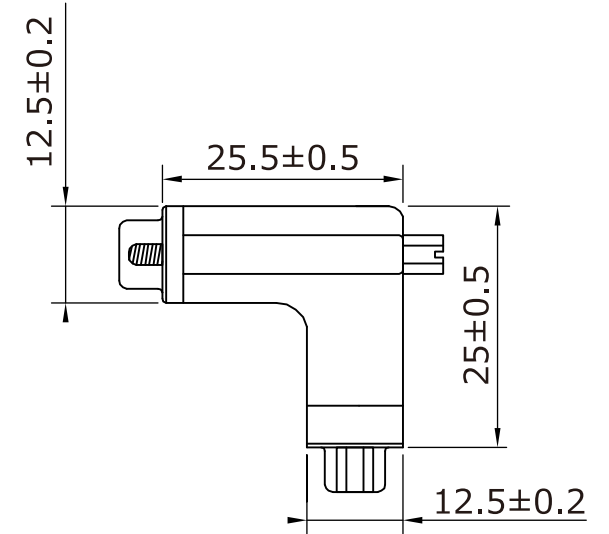
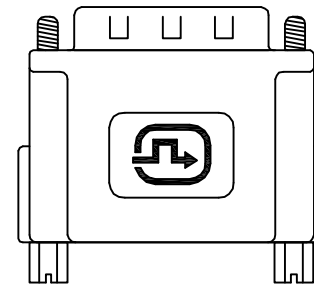
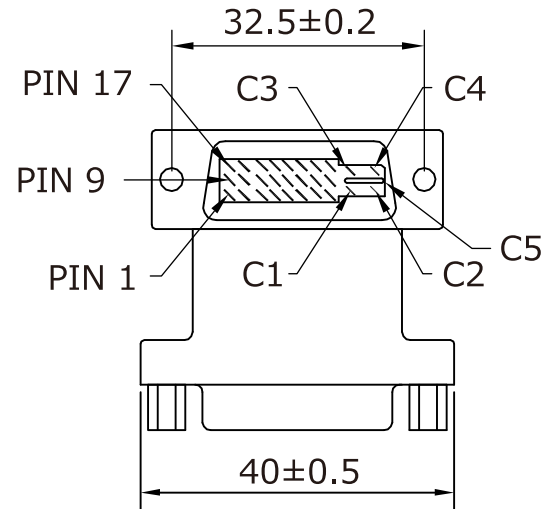
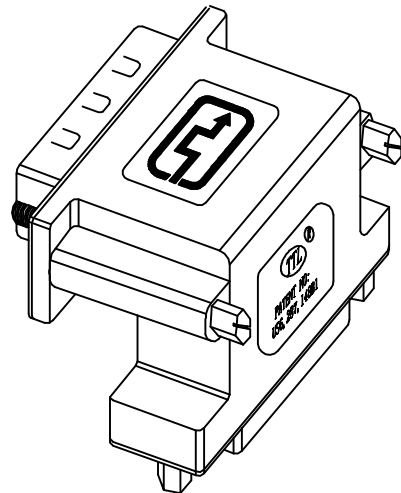



PINOUT CONFIGURATION

DVI MALE	DVI FEMALE
1	1
2	2
3	3
4	4
5	5
6	6
7	7
8	8
9	9
10	10
11	11
12	12
13	13
14	14
15	15
16	16
17	17
18	18
19	19
20	20
21	21
22	22
23	23
24	24
C1	C1
C2	C2
C3	C3
C4	C4
C5	C5
SHELL	SHELL



 http://www.ad-techno.com/			
SCALE	-	REV.	A
UNIT	MM	DWG NO.	
SHEET	1/1	DATE	
DATE	2023/03	TITLE	
TITLE		L-shaped DVI adapter	
MODEL NO.		DVILA	